



Manual product catalog

Manual winches and hoists

 **VERLINDE**[®]
LIFTING EQUIPMENT

PLV[®]

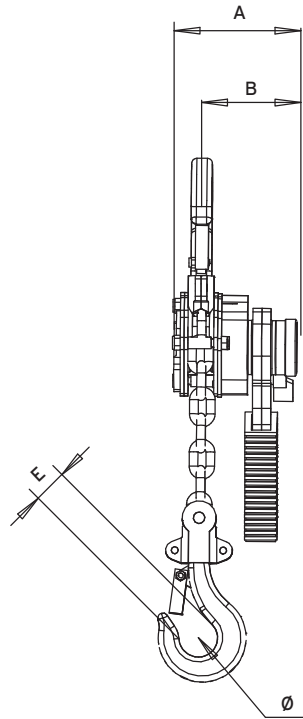
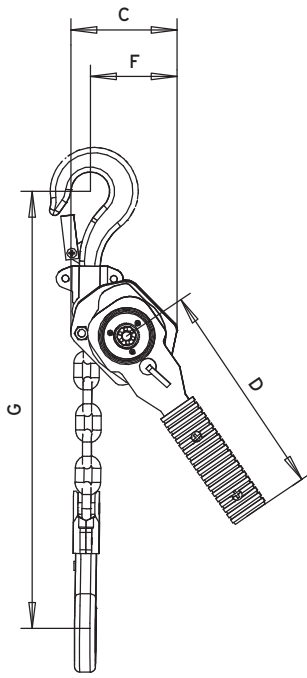
Manual Lever Hoist for loads from 250 to 3,000 kg



The PLV manual lever hoist is a compact unit for lifting, pulling and sliding. Especially suitable for industrial use. Easy to handle, this convenient unit can be used for all sorts of jobs anywhere at the production or building. Great for tight spots where headroom is limited.

► Technical characteristics

- > Four good-looking, robust, compact lightweight, easy handling models.
- > PLV can be used in any position; simply switch the lever to make the PLV easier to handle.
- > Made with special steels, PLV lever hoists are very compact.
- > The lever hoist - a new concept combining good looks with reliability.
- > Chrome-plated steel hoist and lever.
- > Reinforced casing effectively protects mechanisms.
- > Lever rotates 360°.
- > Rubber grip.
- > Weston-type load brake with four braking surfaces.
- > Braking mechanism fully protected against dust and splashing.
- > Extra-safe, lightweight and low-maintenance.
- > Chain can be declutched when winch is not loaded.
- > High-strength grade 80 steel alloy chain. Galvanized for corrosion resistance.
- > Complies with EN 818, safety factor 4.
- > Made in Europe.
- > Delivered with CE certificate, and hook and chain certificate.
- > Treated steel alloy upper and lower ISO turning hooks with safety latches and inspection points.



Capacity	A	B	C	D	E	F	G	Ø	Lifting height (m)	Num. of falls	Chain diam. (mm)	Weight (kg)
250 kg	92	71	70	168	20	50	245	31	1	1	4	2,1
750 kg	149	89	128	308	26	85	310	37	1	1	6	6,2
1,500 kg	171	102	145	408	36	130	385	45	1,5	1	7	9,5
3,000 kg	204	114	203	418	44	150	460	55	1,5	1	10	20,2



► Treated steel alloy upper and lower ISO turning hooks with safety latches and inspection points.



► Chain can be declutched when winch is not loaded.



► Lever can rotate 360°. Rubber grip.

► Load Capacity

